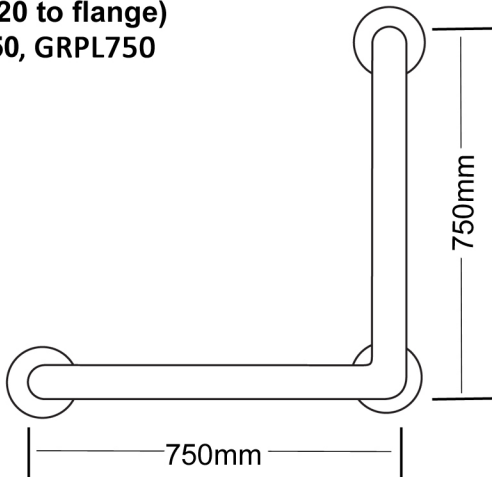


750 L GRAB RAIL
750 x 750
(820 x 820 to flange)
GRKL750, GRPL750



MEASUREMENTS SUBJECT TO MANUFACTURING TOLERANCE