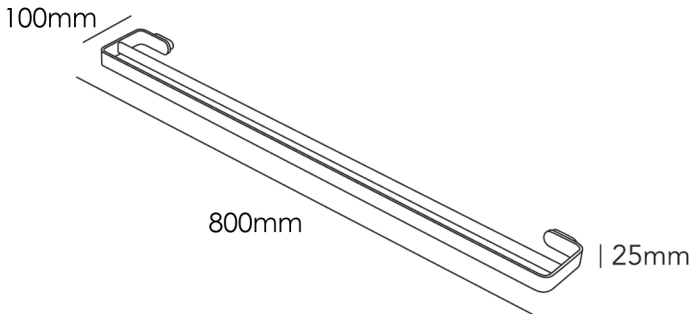


**ANNEX DOUBLE TOWEL RAIL**  
**800x100x25**  
**ANDTR800**



**MEASUREMENTS SUBJECT TO MANUFACTURING TOLERANCE**