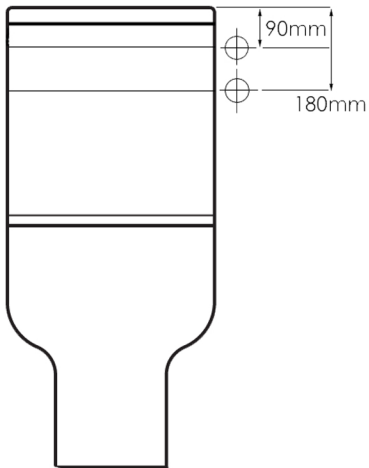


SENTINEL BACK REST: PLACEMENT



MEASUREMENTS SUBJECT TO MANUFACTURING TOLERANCE