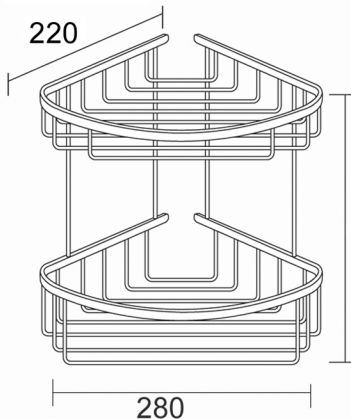


**BRAYDEN**  
**2 TIER CORNER BASKET**  
**280x220x290**  
**BBTT**

**HEIRLOOM**  
THE FINISHING TOUCH



**MEASUREMENTS SUBJECT TO MANUFACTURING TOLERANCE**  
**SPECIFICATIONS MAY CHANGE WITHOUT NOTICE**