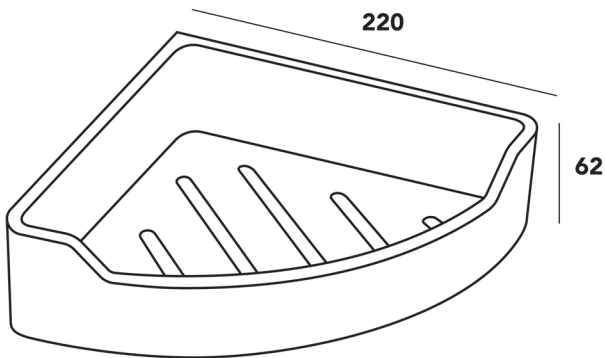


BRAYDEN CORNER SHELF
BCS/PW/BW/NW/IG

HEIRLOOM
THE FINISHING TOUCH



MEASUREMENTS SUBJECT TO MANUFACTURING TOLERANCE
SPECIFICATIONS MAY CHANGE WITHOUT NOTICE