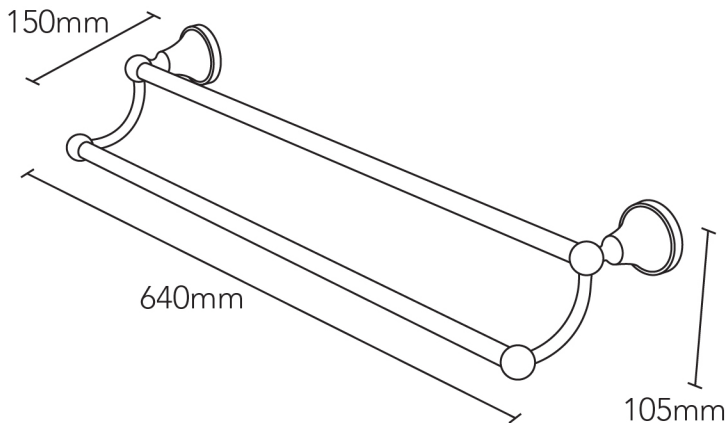


**CARLTON**  
**DOUBLE TOWEL RAIL**  
**635x175x65**  
**CADTR640**

**HEIRLOOM**  
THE FINISHING TOUCH



**MEASUREMENTS SUBJECT TO MANUFACTURING TOLERANCE**  
**SPECIFICATIONS MAY CHANGE WITHOUT NOTICE**