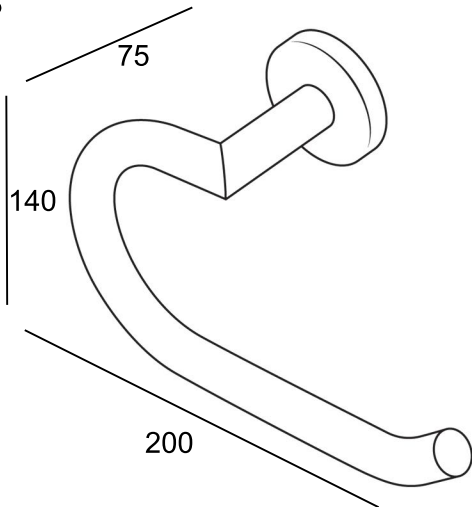


**HEIKO TOWEL STIRRUP**  
**200 x 140 x 75**  
**HTRS**



**MEASUREMENTS SUBJECT TO MANUFACTURING TOLERANCE**