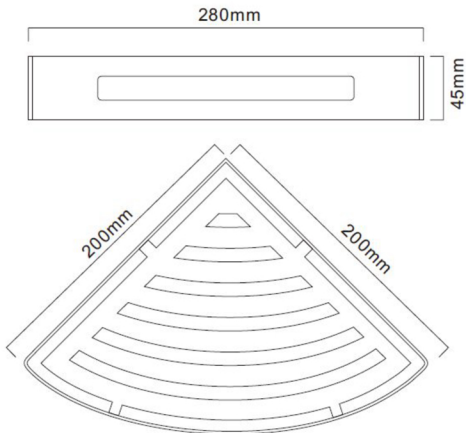


SHELF/BASKET CORNER

200 x 200 x 45

USC



MEASUREMENTS SUBJECT TO MANUFACTURING TOLERANCE