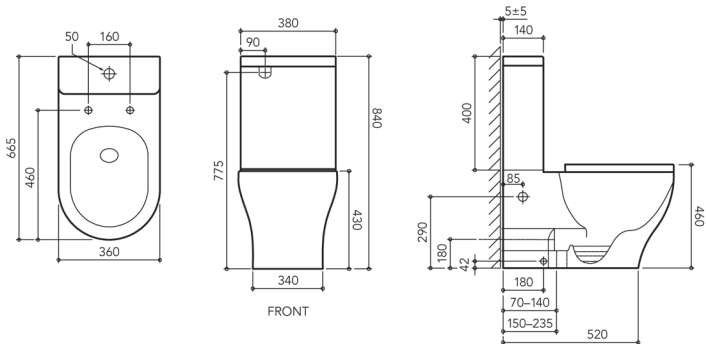


**ANNEX COMFORT
WALL FACED TOILET
373131P, 373131S, 373131SE**



**MEASUREMENTS SUBJECT TO MANUFACTURING TOLERANCE
SPECIFICATIONS MAY CHANGE WITHOUT NOTICE**