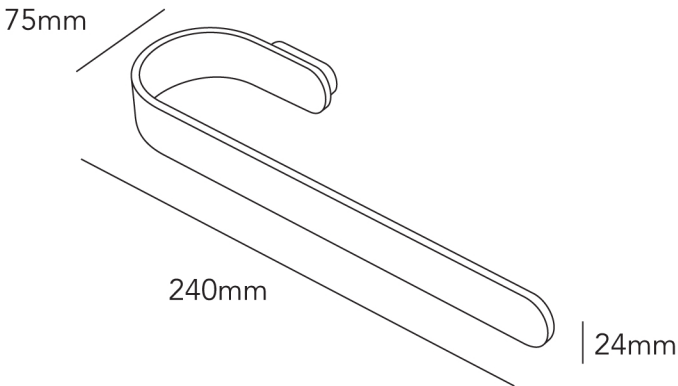


ANNEX TOWEL STIRRUP
240x24x75
ANTRS



MEASUREMENTS SUBJECT TO MANUFACTURING TOLERANCE