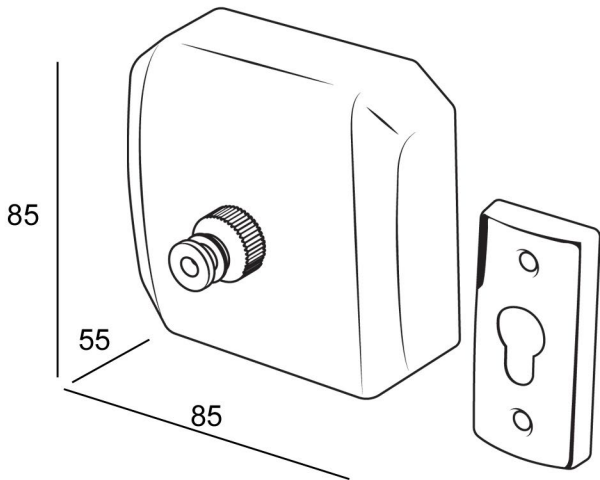


HEIKO CLOTHES LINE (SQUARE)

85 x 85 x 55

HCLS



MEASUREMENTS SUBJECT TO MANUFACTURING TOLERANCE