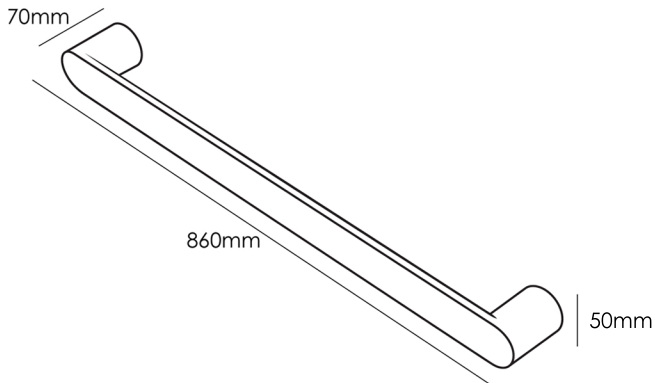


STRATA ANNEX 860
860x50x70
WAS860

HEIRLOOM
THE FINISHING TOUCH



MEASUREMENTS SUBJECT TO MANUFACTURING TOLERANCE
SPECIFICATIONS MAY CHANGE WITHOUT NOTICE