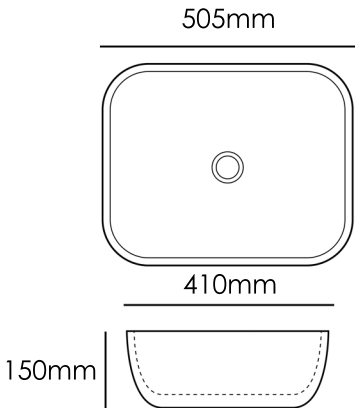


**LINEAL 490**  
**COUNTER TOP BASIN**  
**505 x 410 x 150**  
**362111**



**MEASUREMENTS SUBJECT TO MANUFACTURING TOLERANCE**