

ROMBUS & QUBIS TOWEL FRAMES

Dress your bathroom in style with the Rombus & Qubis Towel Frames, good looking and functional, the ideal way to store and present your towels. Their modern designer lines will add that finishing touch to your bathroom.

Care and Cleaning: The stainless steel finish of your towel frame is hard wearing and easily maintained. Clean with a soft cloth and non-abrasive cleaning agent. Do not use ammoniated detergents, metal polish or abrasive cleaning agents.

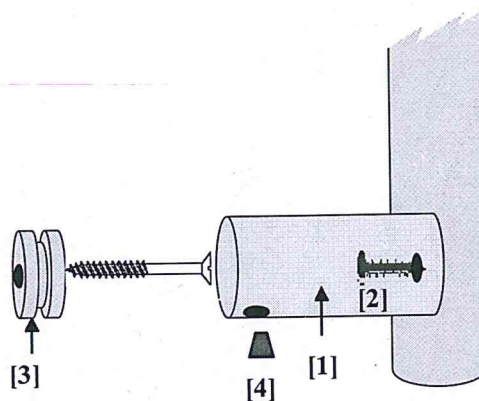
Warranty: This product is guaranteed against defects due to faulty workmanship or materials for 5 years from date of purchase. In the event of a defect in the product, it should be returned with the sales receipt to the retailer from whom it was purchased. Under the guarantee the defective article will be repaired or replaced at Heirloom's option. Costs of removal and reinstatement and freight are the responsibility of the owner, as is any damage arising in transit.

Contact Us: We welcome your feedback on our products. You can view our full range of products on our website or send us your comments about this product to info@heirloom.co.nz. Manufactured for:

Heirloom International Limited, P O Box 204235, Highbrook, Auckland, New Zealand.

Visit our website (www.heirloom.co.nz) to view our full range of bathroom products.

Installation Instructions: Your Towel Frame should be fixed through the wall cladding directly to studs or other suitable anchor material. If fixing to hollow cavity walls, suitable Toggle Anchors or similar devices (not supplied) must be used.



- 1 Attach the four Legs [1] to the towel warmer frame with screws [2] making sure the legs have the grub screws [4] located on the underside of the leg
- 2 Hold the towel warmer in position making sure it is level and mark around one of the top legs.
- 3 Remove the towel warmer and fix the fixing barrel [3] to the wall.
- 4 Place the leg onto the fixing barrel and, making sure that the towel warmer is level, mark the location of the remaining top leg. Fix the fixing barrel [3] to the wall as above
- 5 Place the towel warmer onto the two fixing barrels and mark the location of the two bottom legs
- 6 Remove the towel warmer and fix the remaining fixing barrel [3] to the wall.
- 7 Place the towel warmer in position and secure it to the fixing barrels using the grub screws. [4]