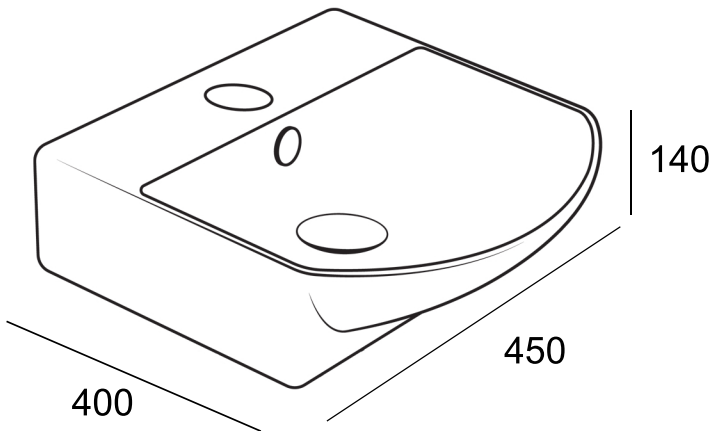


SENTINEL CARE BASIN
CODE 362145



MEASUREMENTS SUBJECT TO MANUFACTURING TOLERANCE