

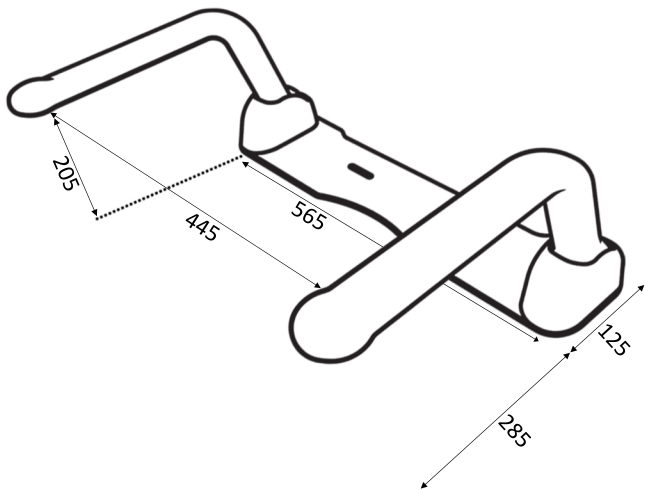
SENTINEL TOILET ARMREST

565x205x410

STAF

Centre to centre: 166 ± 21

 **HEIRLOOM**
THE FINISHING TOUCH



**MEASUREMENTS SUBJECT TO MANUFACTURING TOLERANCE
SPECIFICATIONS MAY CHANGE WITHOUT NOTICE**