

# STRATA

## SINGLE BAR TOWEL WARMERS

Single bar towel warmers are the flexible innovation in towel warmer design. They allow you to design your own warmer layout and give you the choice of exactly how many rungs you'd prefer and how you'd like them positioned. The Strata range with concealed wiring delivers design driven styles; round slat and linear or curved, in a range of finishes to match any bathroom.

**Genesis**



**Aura X**



**Studio 1**



**Aura**



**Studio 1 Curved**



**Teka**



**Annex**



---

## INSTALLATION INSTRUCTIONS

### SAFETY FIRST

1. This is a heating appliance and it will be hot to the touch. Due caution must be exercised when placing or removing towels and when coming in to close proximity to the appliance. For complete temperature control a dimmer may be connected to the primary (input) side of the transformer. A timer (Timekeeper or Timekeeper Plus) may also be used.

2. Care must be taken with fibres, such as microfibre, and other materials with non-slip backings etc. as these may have low heat resistance, and could be damaged. Care must be taken to ensure that towels are free from oil based or other substances that could cause discolouration of the towel.

The appliance is a towel warmer and therefore should be used only for that purpose. It should not be used by children or by anyone with mental, physical, or sensory impediments, or lack of knowledge of the appliance, unless they are under the supervision of those responsible for their welfare and safety.

Children must not use this appliance as a play thing.

This towel rail is designed to warm towels only. Note: for the safety of young children, the lowest rail should not be lower than 600mm from the floor. There are no user-serviceable parts. Should you require service or repair it must be undertaken by an authorised electrician and Heirloom must be contacted in the first instance, so as to not void warranty.

### ELECTRICAL COMPLIANCE

This Strata towel warmer system must be installed by a registered electrician. Work with your electrician to determine the optimum position. When locating these warmers, allow a minimum 50mm clearance to surrounding surfaces. The transformer (sold separately), must be positioned in a ceiling cavity, (not covered by insulating substances) a wall cavity, or cupboard, or a dry accessible place. Do not position the transformer more than 2 metres from the towel warmer connection rail.

For your safety, an isolating switch must be installed, and comply with wiring safety guidelines AS/NZ3000 wiring rules. Correct fixing of the crimp connectors and heat shrink for this warmer system, is required for IP47 compliance. Heirloom Strata towel warmers are compliant with the Australasian Standard AS/NZ60335, for positioning in bathroom Zone 1, the area near baths and showers.

**The transformer is for indoor use only. Refer to table 1 for transformer requirements.  
Strata towel warmers are designed to be installed with Heirloom WTS12-100 transformer only.  
(See table 1 over page). Using other power supplies will void warranty.**

### SITE PREPARATION

Strata warmer rails may be installed on to any wall type – timber or steel stud, solid or cavity masonry or concrete. DO NOT attempt to fix the warmer units to plaster board or cement board. These substrates alone are not sufficiently strong to support rails. A strong support substrate (structure) must be in place before installation.

On stud walls, once the position of the rails has been determined, extra studs or noggs may need to be installed to ensure secure fixing points for all legs. If no framing structure is suitable, you may cover a larger area with 18mm ply for secure fixing. If fixing the rail to a plaster board or cement board surface (with appropriate substrate) care must be taken not to damage the surface of the board to achieve a secure mounting of the rail.

### INSTALLATION INSTRUCTIONS

#### PRE-WIRING

##### For wood or steel framing

Clearly mark on the studs, where all the rail feet will be positioned. Choose which side of the warmer you want the power cable to go to the rail. Determine the position for the transformer. (Refer to "Electrical Compliance").

The wiring will normally run vertically between nogs to line up with the warmer foot position. Drill two holes 10 -12mm diameter at right angles so that one breaks in to the other. Pass low voltage power cable to each foot position chosen for connection. Looping wire to provide a continuous power source between each foot. (See fig1). Wire must be a suitable gauge for current drawn by Strata rails.

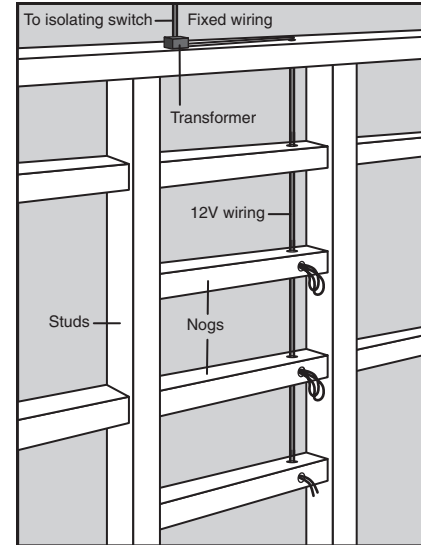


Figure 1

##### For masonry walls

Use a masonry saw or disc grinder with a masonry disc, to cut a continuous groove 25mm deep, between the Strata towel warmer foot positions for wire entry and the transformer position. (see fig 2)

Insert low voltage power cable (not supplied) into the groove and at each foot position make a loop of cable protruding approximately 150mm out from the groove. (see fig 3). Low voltage power cable (not supplied) is required to connect the transformer with the Strata rails that the transformer will supply. Cement render over the groove to conceal the power cable, making sure that the loops are protruding from the groove, to allow for electrical connection.

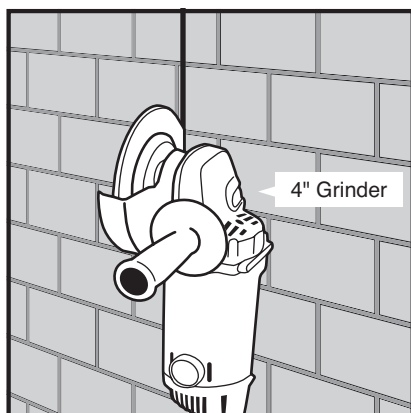


Figure 2

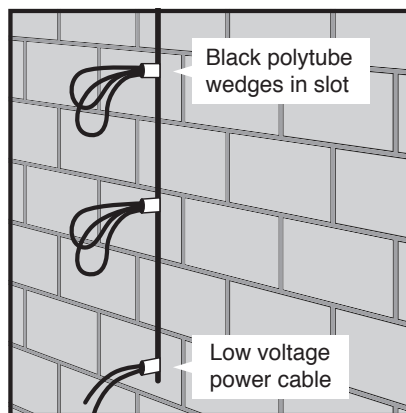
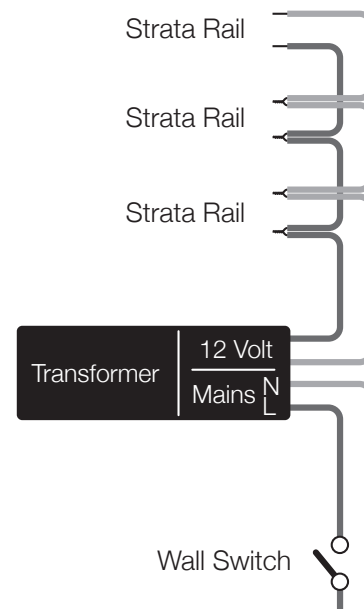


Figure 3



#### Strata Transformers. Table 1

Length	Units per transformer
460	4
632, 700	4
860	3

### INSTALLATION INSTRUCTIONS

Multiple Strata rails connected to one transformer are connected in parallel.

### CONNECTING STRATA RAILS

**IMPORTANT: Strata rails are manufactured with two elements. Only one element must be connected. The tails of the unused element must be cut off. (refer Fig 4 and 5)**

Use the Strata rail as a positioning guide to locate and mark mounting points. (Use a spirit level to ensure these points are horizontal). Drill a hole 8-10mm diameter for the wires to pass through for the leg that will be connected to the power supply. Drill 2.5mm holes as pilot holes for the long stainless steel screws to hold mounting blocks to timber behind tiles and plaster board.

To maintain IP47 compliance, connect towel rail to supply using crimp sleeves and heat shrink supplied. Position excess wire and connectors into the wall.

Position the towel warmer over the mounts and against the wall. (Ensure that the wall mount is not visible.) Tighten the grub screws with 2.5mm allen key supplied.

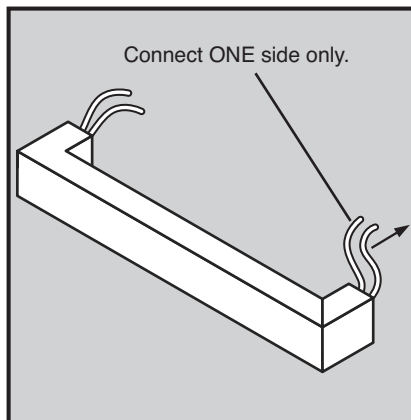


Figure 4

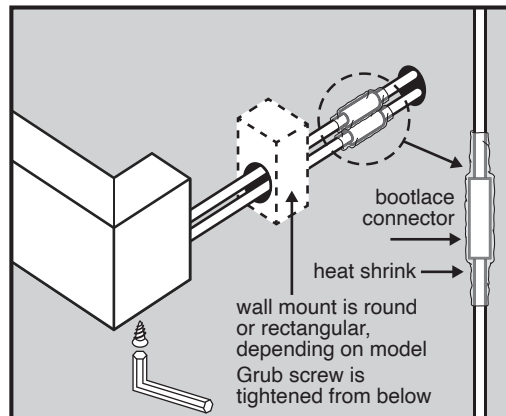


Figure 5: See page 5 for orientation of wall mount.

### ISOLATION SWITCH All Strata Rails

There must be a separate switch in the bathroom solely for the Strata warmer power supply, so that it can be independently isolated from the main electricity supply. This can be incorporated into a "gang" switch plate along with other switches for example, lights.

Wiring from the transformer must be of a suitable gauge for the total current of the installed Strata towel warmer rails.

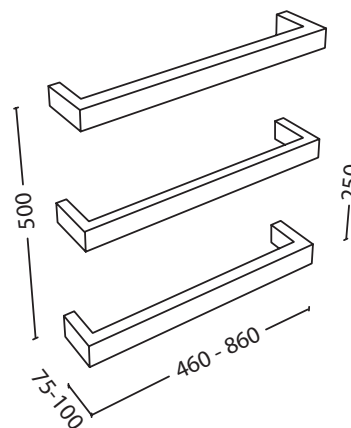


Figure 6

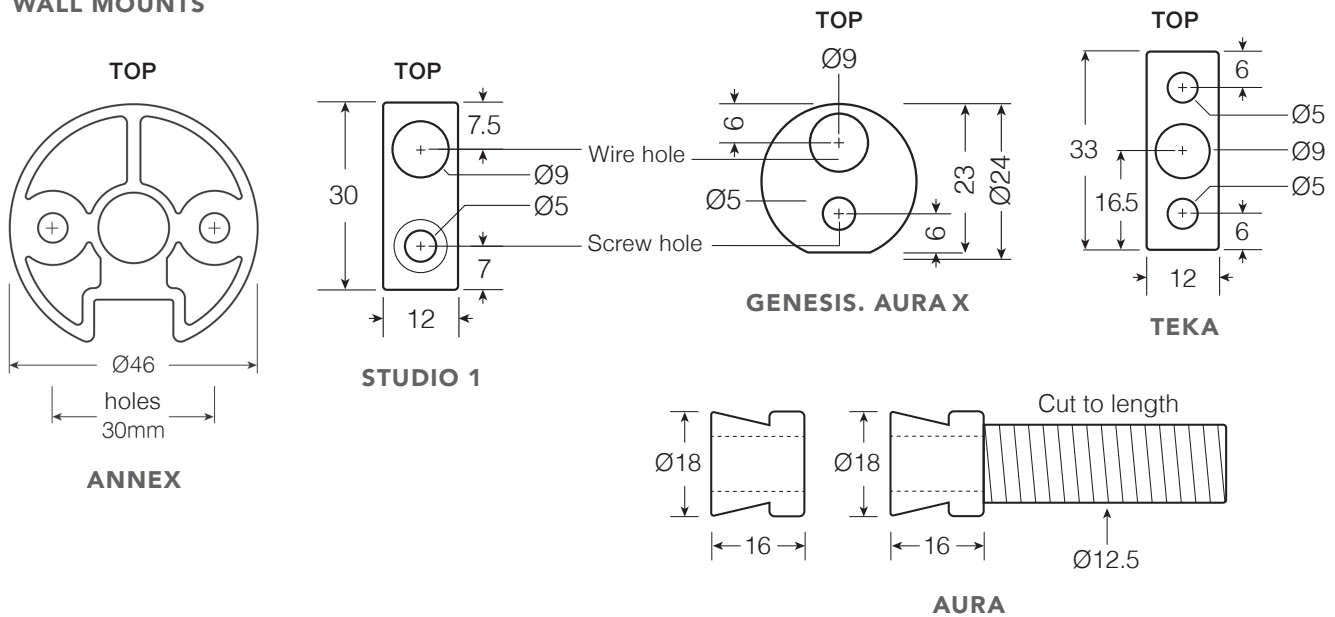
### WALL SPACING Fig 6

Side wall clearance minimum 50mm  
Minimum 600mm from floor  
Minimum 250mm from ceiling  
Typical 250mm spacing between rails

### COMPONENTS

- 1 x Strata Rail with mounts
- 1 x Wall mount pack – stainless steel screws 60 x 8G x 2, wall plugs, allen key
- 1 x Termination pack – bootlace crimps x 2, heat shrink 40mm x 4.8mm 2pcs

### WALL MOUNTS



### SPECIFICATIONS

<b>Recommended use</b>	Residential and Commercial	<b>Power entry</b>	Dual element (left or right element)*
<b>Construction materials</b>	Stainless steel	<b>Power Supply</b>	12 VAC (WTS12-100 safety transformer sold separately) Complies with AS/NZS61558
<b>Finish</b>	Polished Stainless, Black, Brushed Stainless, Brushed Nickel, Brushed Brass Brushed Copper, Gunmetal Matt White	<b>Standards</b>	AS/NZS60335.2.43
<b>Element</b>	Replaceable (By Heirloom)	<b>IP rating</b>	IP47

**Note:** \*Strata towel warmers are dual element. Only one (1) side is to be connected.

### CARE AND CLEANING

The finish of your Strata towel warmer is hard wearing and easily maintained. Clean regularly using a moist soft cloth. Dry with a separate cloth if necessary. Do not use abrasive or ammoniated cleaning agents. Failure to regularly clean the product may result in surface deterioration.

### TECHNICAL DETAILS

Model	Size L x W x H	Polished	Brushed (B)	Black (N)	Brushed Nickel (BN)	Gunmetal (GM)	Matt White (MW)	Brushed Brass (BB)	Brushed Copper (BC)	Watts	Profile (mm)
Studio 1 860 WSS860(x)	860 x 100 x 40	●	●	●	●	●		●		32	40 X 20
Studio 1 632 WSS632(x)	632 x 100 x 40	●	●	●	●	●	●	●	●	23 (MW 27W)	40 X 20
Studio 1 460 WSS460(x)	460 x 100 x 40	●	●	●	●	●	●	●		17 (MW 21W)	40 X 20
Genesis 860 WGS860(x)	860 x 100 x 322	●	●	●	●	●		●		28	32 diameter
Genesis 632 WGS632(x)	632 x 100 x 32	●	●	●	●	●	●	●	●	18 (MW 27W)	32 diameter
Genesis 460 WGS460(x)	460 x 100 x 32	●	●	●	●	●	●	●		14 (MW 20W)	32 diameter
Annex 860 WAS860	860 x 70 x 50	●								26	70 x 50
Annex 632 WAS632(x)	632 x 70 x 50	●	●	●	●	●	●	●	●	19 all variants	70 x 50
Teka 632 WTS632(x)	632 x 100 x 40	●	●	●	●	●	●	●	●	16 (MW 23W)	40 x 15
Aura X 632 WXS632(x)	632 x 100 x 40	●	●	●	●	●	●	●	●	18 (MW 27W)	32 diameter
Aura 632 WAUS632(x)	632 x 100 x 25	●	●	●	●	●	●	●	●	13 (N, MW 16W)	25 diameter
Studio 1 700 Curved WSSC700	700 x 100 x 40	●								21	40 x 20

(X) = colour. ie. B – Brushed. BN – Brushed Nickel etc.

### With Heirloom Strata towel warmers you get these outstanding features.



Heirloom towel warmers are proudly designed and marketed in Australasia by Heirloom International, a 100% New Zealand owned company.



For installation flexibility and confidence all Heirloom warmers are Australasian Standard rated for positioning in bathroom Zone 1, the area next to baths and showers.



Heirloom Strata towel warmers have a 10 year warranty.



Heirloom towel warmers are designed in New Zealand specifically for the Australasian market. They are tested and certified by a world class New Zealand testing laboratory to meet stringent Australasian product standards.



Strata stainless steel towel warmers can be wired on left or right hand side so you don't need to decide in advance. It makes installation easier.



Heirloom Strata towel warmer designs are compliant with the Australasian Standard and have the top IP47 rating for installation safety, exceeding Zone 1 requirements.



Strata towel warmers are powered by Heirloom's Strata transformer.

Should you need further information or help feel free to contact us via our website [www.heirloom.co.nz](http://www.heirloom.co.nz), or on our Customer Helpline 0800 HEIRLOOM (434 756).

Heirloom reserves the right to alter design, specifications and material, without notice.

All dimensions are subject to manufacturing tolerances and should be checked prior to installation.