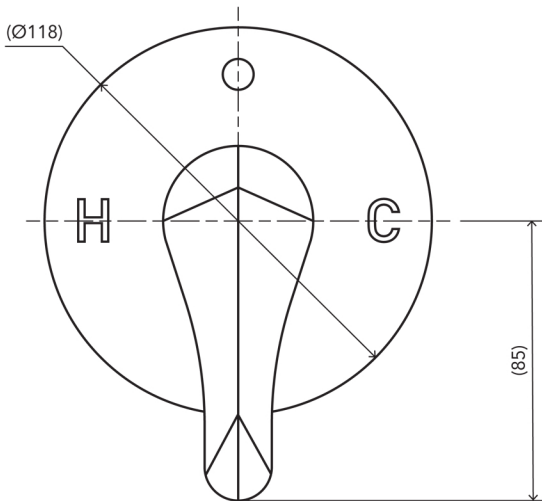


**SERIES 101 SHOWER DIVERTER**  
**T101SD**

**HEIRLOOM**  
THE FINISHING TOUCH



**MEASUREMENTS SUBJECT TO MANUFACTURING TOLERANCE**  
**SPECIFICATIONS MAY CHANGE WITHOUT NOTICE**