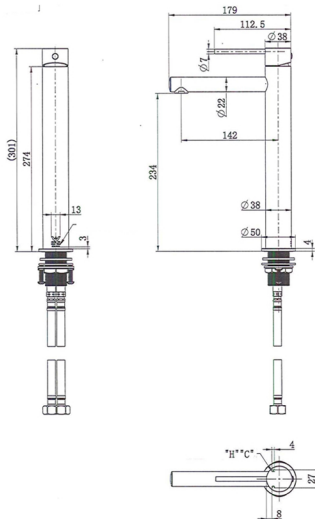


**SERIES 209**  
**TALL BASIN MIXER**  
**T209TM/N/BN/BB/GM**

**HEIRLOOM**  
THE FINISHING TOUCH



**MEASUREMENTS SUBJECT TO MANUFACTURING TOLERANCE  
SPECIFICATIONS MAY CHANGE WITHOUT NOTICE**