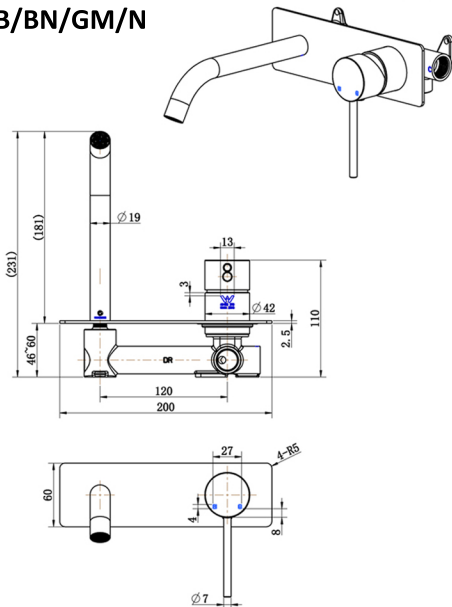


**SERIES 209**  
**WALL BASIN SET**  
**T209WB/BB/BN/GM/N**

**HEIRLOOM**  
THE FINISHING TOUCH



**MEASUREMENTS SUBJECT TO MANUFACTURING TOLERANCE**  
**SPECIFICATIONS MAY CHANGE WITHOUT NOTICE**