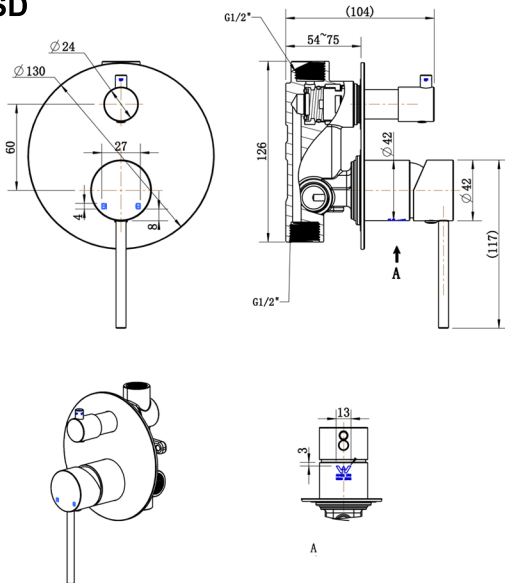


SERIES 209 SHOWER DIVERTER T209SD

HEIRLOOM
THE FINISHING TOUCH



**MEASUREMENTS SUBJECT TO MANUFACTURING TOLERANCE
SPECIFICATIONS MAY CHANGE WITHOUT NOTICE**