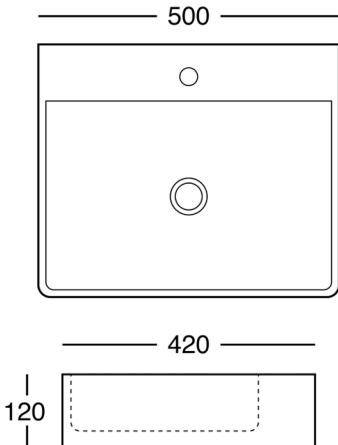


**TABLEAU 500**  
**500x420x120**  
**362131**

**HEIRLOOM**  
THE FINISHING TOUCH



**MEASUREMENTS SUBJECT TO MANUFACTURING TOLERANCE**  
**SPECIFICATIONS MAY CHANGE WITHOUT NOTICE**