

AURA and AURA X POLE 12V TOWEL WARMER

The Advanced Art of Towel Warming

WARNING: In order to avoid a hazard for very young children, this appliance should be installed so that the lowest heated rail is at least 600 mm above the floor.

IMPORTANT: A means of disconnection in the fixed wiring must be used, which is in accordance with national wiring rules (ie AS/NZS3000)

Care must be taken with fibres (other than cotton eg Microfibre) and other materials with non-slip backings as these may have low heat resistance and could be damaged. Ensure that towels are free from oil based or other substances that could cause discolouration of the towel .

Operation

Your AURA X POLE Towel Warmer uses only minimal electrical power – about the same as one or two LED lamps. It will take approximately 20-30 minutes to reach maximum operating temperature. AURA X POLE Towel warmers are designed for continuous operation. NOTE: The temperature of your towel warmer will vary with the ambient temperature of your room. A towel warmer is designed to warm and assist the drying of towels and will normally operate at a temperature that is too hot for the warmer to be grasped for an extended time.

Locating Instructions

Installation instructions are shown in Fig 1 and 2. The AURA X POLE Towel Warmer must be fixed through the wall cladding directly to studs or other suitable anchor material. The towel warmer must be located in compliance with the AS/NZS 60335 Standard . AURA X POLE 12V towel warmers have an IP47 rating offering you the greatest flexibility to safely locate the towel warmer in bathrooms or shower rooms in **Zone 1-3**. All other electrical fittings must also be compliant with the zone within which the warmer is being installed.

Electrical Installation

Ensure that your towel warmer is installed by a registered electrician and that the electrical supply, switch location and product location will comply with regulations.

New Zealand electrical wiring requirements stipulate that this appliance must be wired by a registered electrician in accordance with current electrical wiring regulations.

This product must be used in conjunction with a hard wired switch (for the transformer). For complete temperature control a wall mounted dimmer switch (with “off” position) may be used (in series with the transformer primary connection).

Concealed Wiring

The Aura and Aura X poles are only available with concealed wiring, which requires access to the wall cavity

Care and Cleaning

The finish of your Towel Warmer is made to the highest standards and is easily maintained. Clean regularly with a damp soft cloth. Do not use ammoniated or abrasive cleaning agents. Failure to regularly clean the product may result in surface deterioration

Warranty

This product is warranted against defects due to faulty workmanship or materials for 10 years from date of purchase. In the event of a defect in the product, turn it off at the wall, and contact the retailer from which it was purchased and provide details from your sales receipt and the product’s serial number from the label on the towel warmer. The retailer will contact Heirloom who will assess the matter and if accepted as a valid warranty claim the product will be repaired or replaced at Heirloom’s option – free of charge. Costs of disconnection, reconnection, and freight are the responsibility of the owner, as is any damage arising in transit to and from servicing by Heirloom. This warranty does not cover:

- a. Any damage to the product caused by misuse, neglect, accident, or in violation of the manufacturer’s instructions,
or
- b. Any damage, loss or injury arising as a consequence of the use of the product.

Australia: Our goods come with guarantees that cannot be excluded under the Australian Consumer Law. You are entitled to a replacement or refund for a major failure and compensation for any other reasonably foreseeable loss or damage. You are also entitled to have the goods repaired or replaced if the goods fail to be of acceptable quality and the failure does not amount to a major failure.

INSTALLATION OF AURA AND AURA X POLE TOWEL WARMER

	Mounting Centre (Approx)	Rating at 12 Volts AC	Voltage	IP Rating
AURA X 1000 POLE				
WXSPVLV1000 Polished stainless steel	730mm	20W	12V AC	IP47
WXSLVP1000N Black	730mm	25W	12V AC	IP47
WXSPVLV1000GM Gunmetal	730mm	20W	12V AC	IP47
WXSPVLV1000B Brushed stainless steel	730mm	20W	12V AC	IP47
WXSPVLV1000BN Brushed Nickel	730mm	20W	12V AC	IP47
WXSPVLV1000BB Brushed Brass	730mm	20W	12V AC	IP47
WXSPVLV1000BC Brushed Copper	730mm	20W	12V AC	IP47
WXSPVLV1000MW Matt White	730mm	25W	12V AC	IP47
AURA 1000 POLE				
WAUSPLV1000 Polished stainless steel	730mm	20W	12V AC	IP47
WAUSLVP1000N Black	730mm	25W	12V AC	IP47
WAUSPLV1000GM Gunmetal	730mm	20W	12V AC	IP47
WAUSPLV1000B Brushed stainless steel	730mm	20W	12V AC	IP47
WAUSPLV1000BN Brushed Nickel	730mm	20W	12V AC	IP47
WAUSPLV1000BB Brushed Brass	730mm	20W	12V AC	IP47
WAUSPLV1000BC Brushed Copper	730mm	20W	12V AC	IP47
WAUSPLV1000MW Matt White	730mm	25W	12V AC	IP47

This Package Contains:

- 1 Pole Towel Warmer
- 2 1 plastic wiring adaptor, 1 mounting barrel and screw
- 3 Allen key
- 4 Termination pack of 2 bootlace crimps and two pieces of heatshrink

CAUTION: Prior to installation please ensure the product is to your satisfaction. Once installed Heirloom cannot be responsible for defects in the product finish. This product is not intended for use by young children or infirmed persons without supervision. In order to avoid a hazard for very young children, this towel warmer should be installed at least 600mm from the floor. Young children must be supervised to ensure they do not play with the product. If the supply cord is damaged it must be replaced by the manufacturer, its service agent, or similarly qualified persons in order to avoid a hazard.

Installation:

The AURA X POLE Vertical is intended for installation in a vertical orientation, though horizontal installation is also acceptable.

This towel warmer must be installed by a registered electrician and in accordance with local and national electrical codes. We recommend that the towel warmer be installed vertically on a flat and uniform wall, and where possible into studs or other suitable anchor material. If fixing to hollow cavity walls, toggle anchors (not those supplied) or similar devices must be used.

Position the towel warmer so that the transformer is easily accessible within 2m of pole (eg in wall or roof space, clear of insulation). Cable entry to the towel warmer can be top or bottom .

DO NOT APPLY POWER TO THE UNIT, OR SWITCH THE TOWEL WARMER ON BEFORE INSTALLATION IS COMPLETE.

NOTE : Exposed flex is not an option with Aura and Aura X poles

CONCEALED FLEX INSTALLATION See Fig 1 below

1. Identify position for wiring connector, drill 12.5mm hole
2. Tap wiring connector in to place, flush with wall.
3. Thread wires through wiring connector
4. Drill pilot hole 2.5mm for top mount screw 730mm vertically above wiring connector centre.
5. Pass wires through wiring connector, terminate with bootlace crimps and heat shrink supplied. Push excess wire back in to wall.
6. Tighten top and bottom grub screws to clamp to mounts.

Fig 1

Aura and Aura X Pole Wiring Installation

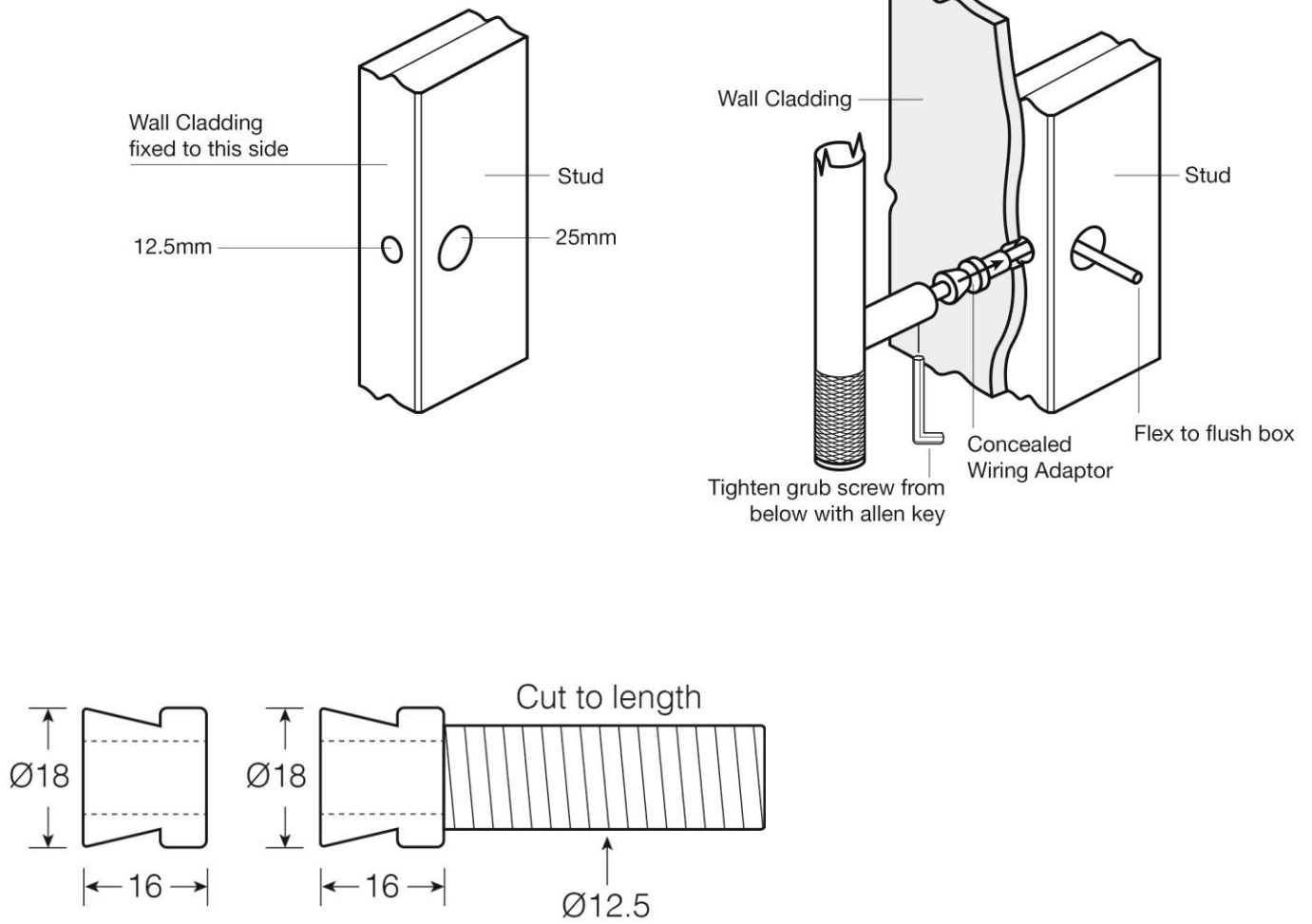


Fig 2 Aura Pole mounts : Top (non wired) left, wired mount right