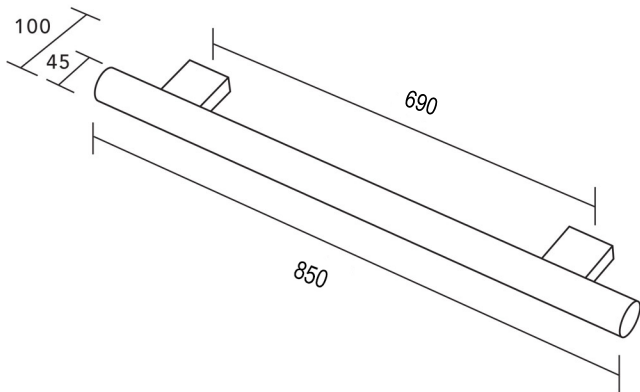


HEIKO POLE 850

CODE: WHSPLV850/N/GM/B/BN/MW/BB/BC



MEASUREMENTS SUBJECT TO MANUFACTURING TOLERANCE