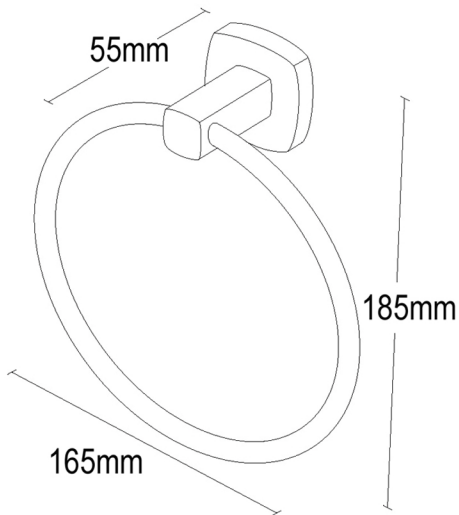


**VELOSO TOWEL STIRRUP**  
**165x185x55**  
**YVTRS**

**HEIRLOOM**  
THE FINISHING TOUCH



**MEASUREMENTS SUBJECT TO MANUFACTURING TOLERANCE**  
**SPECIFICATIONS MAY CHANGE WITHOUT NOTICE**